

Date:	26th Apr 2023
Document Number	QDGZ-003-00508-01_(B)
Subject:	Modification of MML series front lens barrel

**MORITEX Corporation**  
Quality Assurance Department

1-3-3, Azamino-Minami,  
Aoba-ku, Yokohama,  
Kanagawa  
225-0012, Japan  
Tel +81-(0)45-913-5800  
www.moritex.com

Dear customers:

Thank you for using MORITEX products.

Please be advised that we gratefully announce that a part of lens products are changed the design of some of our lens products.

Should you have any inquiries, please contact your sales representative.

Applicable products:

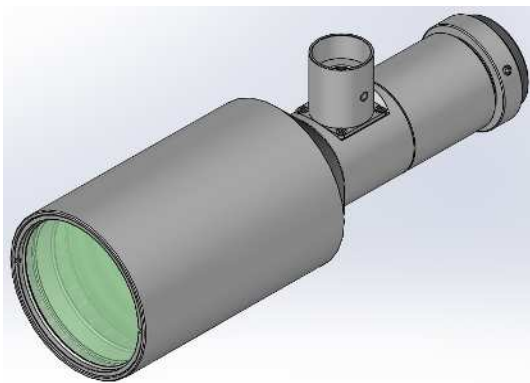
MML Series

- MML03-HR110D-5M
- MML03-HR110D
- MML03-HR65-5M
- MML6-HR220D
- MML03-HR110-5M
- MML03-HR65D-5M
- MML4-HR220D
- MML8-HR220D

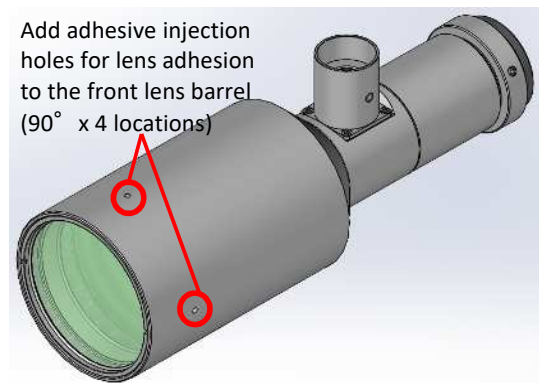
Changes:

Add adhesive injection holes for lens bonding to the front lens barrel of the above machine vision lens.  
This change will not affect optical performance.

**Before:**



**After:**



Implementation date

Production will be carried out sequentially at the Vietnam factory (including partner company).

Contact information:

MORITEX Corporation

1-3-3, Azamino-Minami, Aoba-ku, Yokohama, Kanagawa 225-0012, Japan

Phone +81-(0)45-913-5800

moritex.sales@moritex.com

www.moritex.co.jp

MORITEX North America, Inc.

6862 Santa Teresa Blvd. San Jose, CA 95119 USA

Phone +1-(0)408-363-2100

FAX +1-(0)408-363-9980

machine.vision@moritex.com

www.moritex.com

MORITEX Asia Pacific Pte. Ltd.

60 Paya Lebar Road #06-31, Singapore 409051

Phone +65-(0)6898-0835

FAX +65-(0)6898-0836

sales.AP@moritex.com

www.moritex.com

MORITEX Europe representative office

Mühlbachstr. 20 82229 Seefeld, Germany

inf.eu@moritex.com

www.moritex.com

MORITEX Technologies (Shenzhen) Co., Ltd.

No.20, Guiri Road, Daping Village, Guanlan, Longhua New District,

Shenzhen, 518110 China