

SHIM ADJUSTMENT SCREW  
M3 HEX SOCKET SET SCREW(3x120°)

シム調整固定ねじ  
M3六角穴付止めねじ ( 3 x 120° )

IRIS LOCK SCREW  
絞り固定用つまみねじ

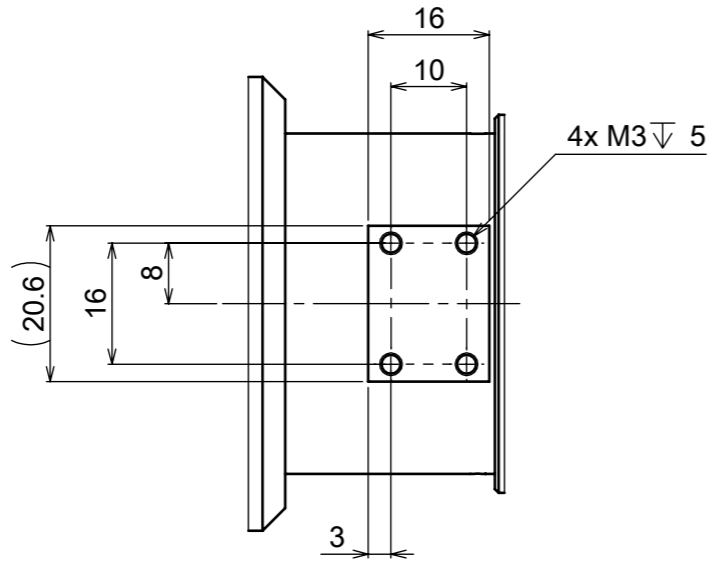
SHIM

P-MOUNT

PRODUCT LABEL

CAMERA POSITION ADJUSTMENT SCREW  
M3 HEX SOCKET SET SCREW(3x120°)  
カメラ位置調整ねじ  
M3六角穴付止めねじ ( 3 x 120° )

MAGNIFICATION:0.42X  
光学倍率:0.42X



VIEW A

△x					FINISH	UNIT:mm	
△x					BLACK ANODIZING		
2x1	B-001	2017.Feb.16	版本A→B		SURFACE		MODEL NAME
1x1	A-002	2016.Dec.24	刻字変更				MTL-5523P-042
△	A-001	2016.Oct.28	NEW		MATERIAL		PART NAME
MARK	COM-REV	DATE(YMD)	CHANGE	SIGNATURE	ALUMINUM ALLOY		OUTLINE DRAWING
DESIGNED	DRAWN	CHECKED	APPROVED		CHAMFER		DRAWING NO.
WOLF	WOLF	kevin			TOLERANCE CLASS		A22634A0100101B-001
					SCALE	1:1	SHEET 1/1

CLASS	NOMINAL LENGTH						PERPENDICULARITY TOLERANCE	CLASS	NOMINAL LENGTH ON SHORTER SIDE			
	L ≤ 10	10 < L ≤ 30	30 < L ≤ 100	100 < L ≤ 300	300 < L ≤ 1000	1000 < L ≤ 3000			L ≤ 100	100 < L ≤ 300	300 < L ≤ 1000	1000 < L ≤ 3000
H	±0.02	±0.05	±0.1	±0.2	±0.3	±0.4	H	±0.2	±0.3	±0.4	±0.5	
K	±0.05	±0.1	±0.2	±0.4	±0.6	±0.8	K	±0.4	±0.6	±0.8	±1.0	

CLASS	ANGLE TOLERANCE	STANDARD DIMENSION RANGE
L ≤ 10	±1°	L < 0.2
f		0.2 ≤ L
m		0.5 ≤ L
		1 ≤ L
		3 ≤ L
		6 ≤ L
		L < 0.2
		0.2 ≤ L
		0.5 ≤ L
		1 ≤ L
		3 ≤ L
		6 ≤ L
		L < 0.2
		0.2 ≤ L
		0.5 ≤ L
		1 ≤ L
		3 ≤ L
		6 ≤ L

CLASS	CHAMFER TOLERANCE
L < 0.2	±0.1
0.2 ≤ L	±0.1
0.5 ≤ L	±0.1
1 ≤ L	±0.1
3 ≤ L	±0.1
6 ≤ L	±0.1
L < 0.2	±0.1
0.2 ≤ L	±0.1
0.5 ≤ L	±0.1
1 ≤ L	±0.1
3 ≤ L	±0.1
6 ≤ L	±0.1

CLASS	LENGTH TOLERANCE
L < 0.2	±0.3
0.2 ≤ L	±0.3
0.5 ≤ L	±0.3
1 ≤ L	±0.3
3 ≤ L	±0.3
6 ≤ L	±0.3
L < 0.2	±0.3
0.2 ≤ L	±0.3
0.5 ≤ L	±0.3
1 ≤ L	±0.3
3 ≤ L	±0.3
6 ≤ L	±0.3