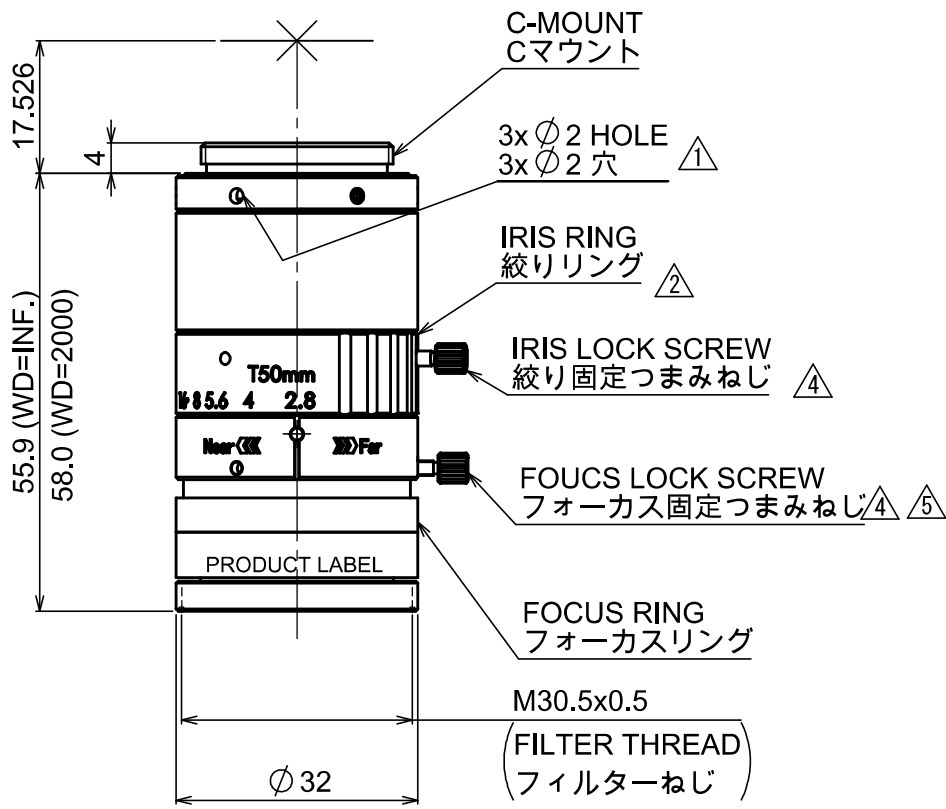


A	CLASS	NOMINAL LENGTH						CLASS	NOMINAL LENGTH ON SHORTER SIDE				
		L ≤ 10	10 < L ≤ 30	30 < L ≤ 100	100 < L ≤ 300	300 < L ≤ 1000	1000 < L ≤ 3000		L ≤ 100	100 < L ≤ 300	300 < L ≤ 1000	1000 < L ≤ 3000	
B	STRAIGHTNESS & FLATNESS TOLERANCE	H	±0.02	±0.05	±0.1	±0.2	±0.3	±0.4	H	±0.2	±0.3	±0.4	±0.5
		K	±0.05	±0.1	±0.2	±0.4	±0.6	±0.8	K	±0.4	±0.6	±0.8	±1.0
C	LENGTH OF SHORTER SIDE OF ANGLE	L ≤ 10	10 < L ≤ 50	50 < L ≤ 120	120 < L ≤ 400	400 < L	L ≤ 10	10 < L ≤ 50	50 < L ≤ 120	120 < L ≤ 400	400 < L		
		±1°	±30'	±20'	±10'	±5'	±1°	±30'	±20'	±10'	±5'		
D	ANGLE TOLERANCE	f							f				
		m							m				
E	ORIGINAL SHEET FORMAT SIZE: A4	STANDARD DIMENSION RANGE						STANDARD DIMENSION RANGE					
		L < 0.2	0.2 ≤ L ≤ 0.5	0.5 < L ≤ 3	3 < L ≤ 6	6 < L	L < 0.2	0.2 ≤ L ≤ 0.5	0.5 < L ≤ 3	3 < L ≤ 6	6 < L		
F	CHAMFER TOLERANCE	L < 0.2	0.2 ≤ L ≤ 0.5	0.5 < L ≤ 3	3 < L ≤ 6	6 < L	L < 0.2	0.2 ≤ L ≤ 0.5	0.5 < L ≤ 3	3 < L ≤ 6	6 < L		
		±0.1	±0.1	±0.2	±0.5	±1.0	±0.1	±0.1	±0.2	±0.5	±1.0		
G	IN DRW.	STANDARD DIMENSION RANGE						STANDARD DIMENSION RANGE					
		L < 0.2	0.2 ≤ L ≤ 0.5	0.5 < L ≤ 3	3 < L ≤ 6	6 < L	L < 0.2	0.2 ≤ L ≤ 0.5	0.5 < L ≤ 3	3 < L ≤ 6	6 < L		
H	CHAMFER TOLERANCE	L < 0.2	0.2 ≤ L ≤ 0.5	0.5 < L ≤ 3	3 < L ≤ 6	6 < L	L < 0.2	0.2 ≤ L ≤ 0.5	0.5 < L ≤ 3	3 < L ≤ 6	6 < L		
		±0.1	±0.1	±0.2	±0.5	±1.0	±0.1	±0.1	±0.2	±0.5	±1.0		
I	IN DRW.	STANDARD DIMENSION RANGE						STANDARD DIMENSION RANGE					
		L < 0.2	0.2 ≤ L ≤ 0.5	0.5 < L ≤ 3	3 < L ≤ 6	6 < L	L < 0.2	0.2 ≤ L ≤ 0.5	0.5 < L ≤ 3	3 < L ≤ 6	6 < L		
J	CHAMFER TOLERANCE	L < 0.2	0.2 ≤ L ≤ 0.5	0.5 < L ≤ 3	3 < L ≤ 6	6 < L	L < 0.2	0.2 ≤ L ≤ 0.5	0.5 < L ≤ 3	3 < L ≤ 6	6 < L		
		±0.1	±0.1	±0.2	±0.5	±1.0	±0.1	±0.1	±0.2	±0.5	±1.0		
K	IN DRW.	STANDARD DIMENSION RANGE						STANDARD DIMENSION RANGE					
		L < 0.2	0.2 ≤ L ≤ 0.5	0.5 < L ≤ 3	3 < L ≤ 6	6 < L	L < 0.2	0.2 ≤ L ≤ 0.5	0.5 < L ≤ 3	3 < L ≤ 6	6 < L		
L	CHAMFER TOLERANCE	L < 0.2	0.2 ≤ L ≤ 0.5	0.5 < L ≤ 3	3 < L ≤ 6	6 < L	L < 0.2	0.2 ≤ L ≤ 0.5	0.5 < L ≤ 3	3 < L ≤ 6	6 < L		
		±0.1	±0.1	±0.2	±0.5	±1.0	±0.1	±0.1	±0.2	±0.5	±1.0		
M	IN DRW.	STANDARD DIMENSION RANGE						STANDARD DIMENSION RANGE					
		L < 0.2	0.2 ≤ L ≤ 0.5	0.5 < L ≤ 3	3 < L ≤ 6	6 < L	L < 0.2	0.2 ≤ L ≤ 0.5	0.5 < L ≤ 3	3 < L ≤ 6	6 < L		
N	CHAMFER TOLERANCE	L < 0.2	0.2 ≤ L ≤ 0.5	0.5 < L ≤ 3	3 < L ≤ 6	6 < L	L < 0.2	0.2 ≤ L ≤ 0.5	0.5 < L ≤ 3	3 < L ≤ 6	6 < L		
		±0.1	±0.1	±0.2	±0.5	±1.0	±0.1	±0.1	±0.2	±0.5	±1.0		
O	IN DRW.	STANDARD DIMENSION RANGE						STANDARD DIMENSION RANGE					
		L < 0.2	0.2 ≤ L ≤ 0.5	0.5 < L ≤ 3	3 < L ≤ 6	6 < L	L < 0.2	0.2 ≤ L ≤ 0.5	0.5 < L ≤ 3	3 < L ≤ 6	6 < L		
P	CHAMFER TOLERANCE	L < 0.2	0.2 ≤ L ≤ 0.5	0.5 < L ≤ 3	3 < L ≤ 6	6 < L	L < 0.2	0.2 ≤ L ≤ 0.5	0.5 < L ≤ 3	3 < L ≤ 6	6 < L		
		±0.1	±0.1	±0.2	±0.5	±1.0	±0.1	±0.1	±0.2	±0.5	±1.0		



FOCAL LENGTH/焦点距離 : 50mm
 MAX. APERTURE RATIO/最大口径比 : 1 : 2.8
 WAVE LENGTH/波長 : 400nm ~ 850nm

△5 x1	B-001	2023.May.16	LOCK SCREW削除・追加	Kodaira	FINISH BLACK ANODIZING	UNIT:mm	
△4 x2	A-005	2019.Feb.21	LOCK SCREW変更	Kusano	SURFACE	MODEL NAME	
△3 x1	A-004	2018.Nov.30	誤記訂正	Yamagishi		ML-T5028-18C	
△2 x1	A-003	2018.Apr.10	Add Engraving 「T50mm」	G.Ogawa	MATERIAL	PART NAME	
△	A-001	2018.Feb.19	NEW	-	ALUMINIUM ALLOY	OUTLINE DRAWING	
MARK	COM-REV	DATE(YMD)	CHANGE	SIGNATURE	CHAMFER	DRAWING NO.	SHEET
	G.Ogawa	Yamagishi			TOLERANCE CLASS	A23171A0100101B-001	1/1
			CHECKED モリテックス '23.06.05 青木	APPROVED モリテックス '23.06.06 山中	SCALE		
					1:1		

OLD DRAWING NO.

2

3

4