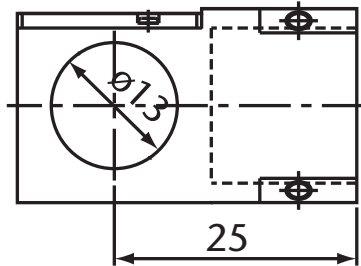
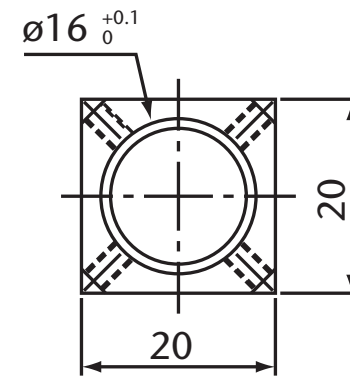
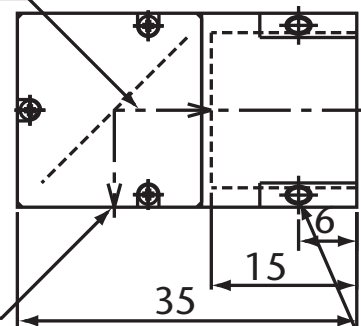


Inner Optical  
Path Length 20

Center of Field of  
View  $\pm$  (Lens WD x  
 $\tan 1.5^\circ$  or less)



4-M2.6  
(For Securing Lens)  
M2.6 Hexagonal  
Socket Set Screw  
(4 Screws Enclosed)