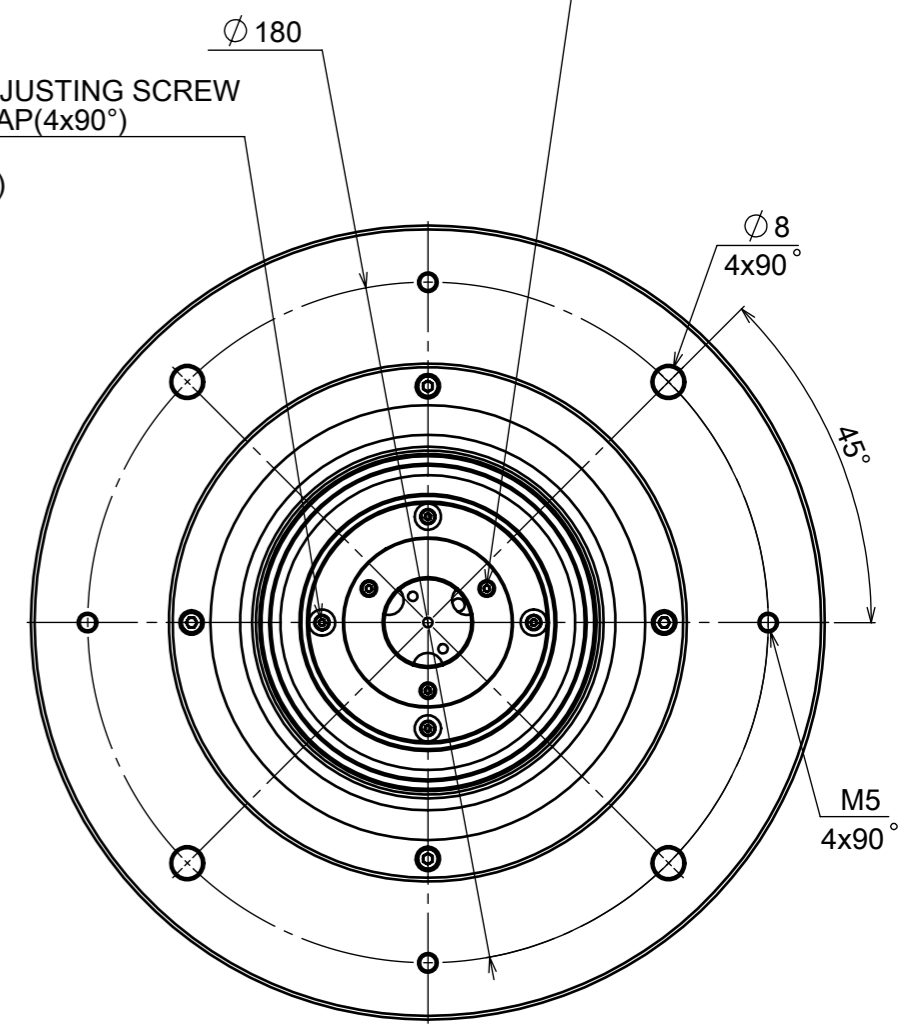


ILLUMINATION ANGLE ADJUSTING SCREW  
 M3 HEX SOCKET SET SCREW(4x90°)  
 照明角度調整用ねじ  
 M3六角穴付き止めねじ(4x90°)

ILLUMINATION ANGLE ADJUSTING SCREW  
 M2 HEX SOCKET HEAD CAP(4x90°)  
 照明角度調整用ねじ  
 M2六角穴付きボルト(4x90°)

SHIM ADJUSTMENT SCREW  
 M2 HEX SOCKET HEAD CAP(3x120°)  
 シム調整用ねじ  
 M2六角穴付きボルト(3x120°)



MODEL NAME : MTI-180-CW-070  
 MORITEX Corporation