

MCEP/MSPP Dedicated LED Controller

## MLEP-B070W2LRD

with or without suffix: -KE


# INSTRUCTION MANUAL

### - Table of Contents -

Table of Contents	15	4. Connections	19
1. Introduction	15	External Signal Connector	19
Precautions for Correct Use	16	Connector for Illuminator	22
Warranty	17	5. Maintenance	22
Confirming Package Contents	17	Troubleshooting	22
2. Features	17	6. Specifications	23
3. Installation	18	Optional Items	24
Basic System Configuration	18	Dimensions	26
Equipment Control	18	《MEMO》	27
Installation	19	《Appendix》	28

### 1. Introduction

Please read this instruction manual carefully, before starting operation. Keep this book for the whole product lifetime, and store it in a place easily accessible.

<b>Meanings of Warning Symbol</b>		The following warning symbol is used in this manual. Be sure to fully understand the contents of the warning.
	<b>WARNING</b>	This warning marking indicates a potentially hazardous situation, which can result in hazard to the operator or damage to the unit, if the directions of this Instruction Manual are not followed.

## Precautions for Correct Use



### WARNING

Use this product only after understanding contents of the following:

- If using this product in combination with other apparatuses, please confirm the correctness/compatibility of the connection with these external apparatuses (especially regarding insulation requirements).
- If using this product in combination with other apparatuses, please confirm any standards, codes, or regulations that apply to the combination of the apparatuses.
- If using this product in combination with other apparatuses, please confirm that installation, connection and use within the entire system is according to the specification of this product (as described in this Instruction Manual) and according to those of all other apparatuses.
- Never use the product for an application involving serious risks to life or property as long as the whole system is not equipped with appropriate safety measures of the relevant safety category.
- Please install this product in such a way that water cannot sprinkle into it.
- Whenever some matter/dirt stuck to the product, please completely wipe it off, using a dry cloth.
- This product needs periodical inspection and exchange of maintenance parts.
- Whenever trouble occurs, please request repair to MORITEX, and do not dismantle the product by your own.

### Other precautions

- When a customer wants to scrap the product, the whole equipment has to be disposed as industrial waste, according to laws and ordinances of the customer's area.
- Dimensions and Weights are reference.
- Specifications of the product (or accessories or optional items) may be changed at any time based on improvements and other reasons without any notice.
- Please inquire to MORITEX about indistinct contents.

## Warranty

### The term of a warranty

The warranty of this product lasts for two years from the date of purchase. In case of product failure within two years from the date of purchase, and there is no doubt on the correct utilization of the product, according to this instruction manual the unit will be repaired at no charge.

### Limitations of warranty

When inconvenience due to our responsibility occurs to a product during the warranty period, the part that has trouble will be changed to a new part, or repaired, free of charge. But, if the cause of the trouble fits to the following, the product is out of warranty.

- The cause of the trouble is of such technical nature that could not be foreseen at the time of shipment.
- The trouble is not caused by this product.
- The trouble is caused by modification or repair by a person other than MORITEX.
- The trouble is caused by unauthorized use, not conforming to this Instruction Manual.
- The trouble is caused by the inappropriate handling such as a drop or a shock.
- The trouble is repaired by MORITEX at on-site service.
- The trouble is caused by a condition out of our responsibility such as a natural disaster or pollution.
- The cause of the trouble can not be identified by MORITEX.

MORITEX shall not be responsible for indirect or consequential damages, in any way related to this product. The responsibility of MORITEX for any act shall not exceed the price of this product. The warranty is limited to business and use in Japan. Please inquire to MORITEX about warranty overseas.

## Confirming Package Contents

Part name	Quantity	Unit	Notes
Main body	1	piece	—
Power Supply Cord Set	1	piece	※1,2

※1 『MC-AC100A-2.0M』 is attached to 『-100V』 model. 『MC-AC200A-2.0M』 is attached to 『-200V』 model. (It depends on the suffix of the model that was purchased.)

Before connection to the power supply, please check the conformity of the specifications of the Power Supply Cord Set with the laws and standards of your country as well as the correct power and temperature rating.

Refer to Page 18: Installation, Page 23: Specifications, Page 24: Optional Items

※2 An attached AC cord set is an AC cord set for exclusive use of this product. Other than this product, please do not use it.

## 2. Features

### Applicable Illuminators

Requirements for applicable MCEP/MSPP series Illuminators (made by MORITEX) : ※1

3pin type: Illuminator of 0.35/0.70 [A]

### Output

Number of output channels: 2 channels

※ Each output channel is controlled separately.

### Manual illuminance adjustment function

It is possible to adjust the illuminance of the Illuminator by using the Output Control SW on the front-panel.

※ It is possible to control each channel separately.

※ Manual adjustment of the illuminance is possible when selecting MANU mode (MANU/REMO SW)

※ Hexadecimal control: 0,1,····,E,F

※ (COARSE, FINE): (0,0) = MIN; (F,F) = MAX

※ Range between (0,0) and about (0,5) does not turn on the Illuminator.

### Remote illuminance adjustment function

It is possible to adjust the illuminance of the Illuminator by inputting an 8bit digital signal to the External Signal Connector on the rear-panel.

※ It is possible to control each channel separately.

※ Remote adjustment of the illuminance is possible when selecting REMO mode (MANU/REMO SW)

### Output ON/OFF function

It is possible to turn off the Illuminator by inputting a relevant signal to the External Signal Connector.

※ It is possible to control each channel separately.

※ Operation of this function is possible regardless of the MANU/REMO setting.

### Hot swapping of the illuminance

When lighting is not connected, it will cut off the output voltage. In order to restore the output, you will need to restart the power supply after you have connected the lighting.

※ It is possible to control each channel separately.

※ Operation of this function is possible regardless of the MANU/REMO setting.



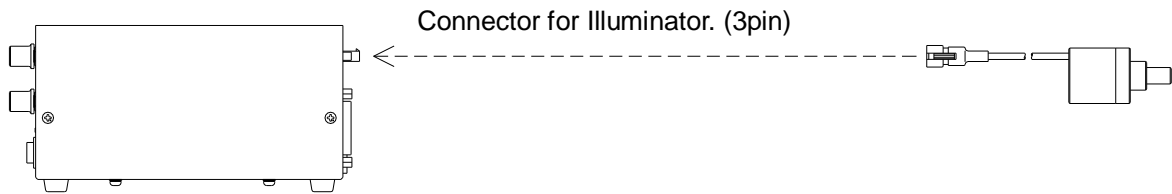
## WARNING

※1 Do not connect anything to output except designed illuminator.

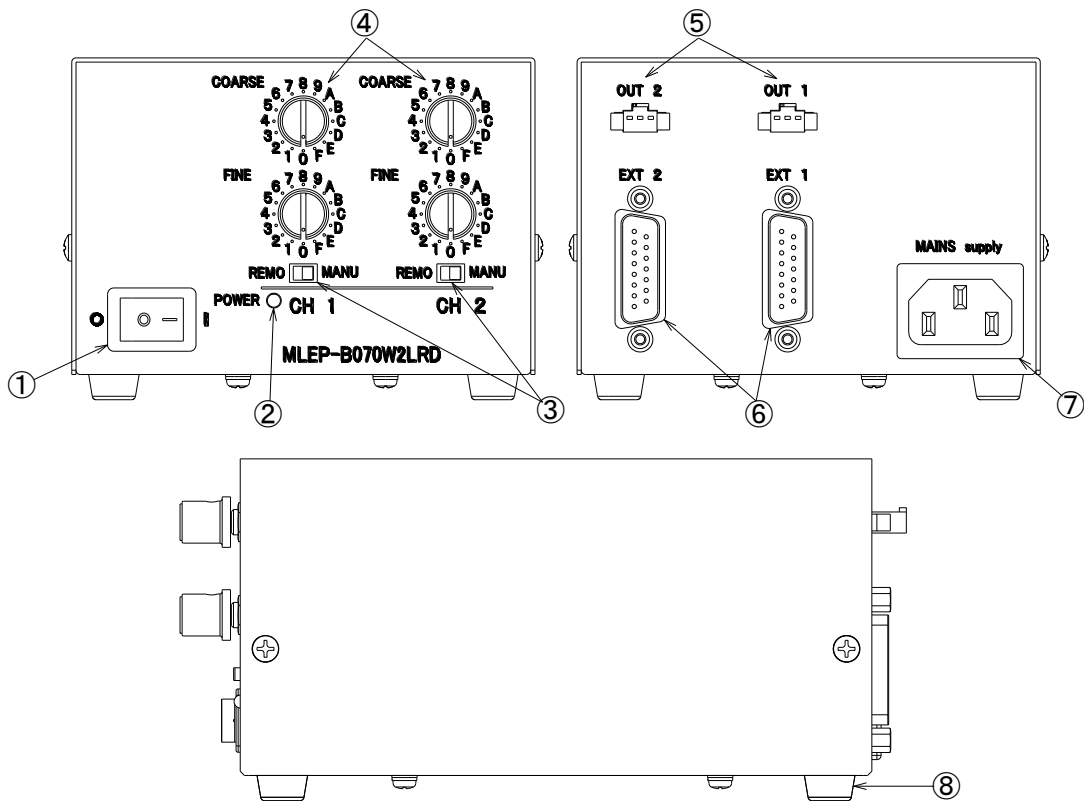
### 3. Installation

#### Basic System Configuration

- This Unit is dedicated for use with/for connection to the MCEP/MSPP Illuminator. Refer to Page 3: Features
- For external control, it is possible to connect an external apparatus via the External Signal Connector.



※ The cables for connection to the EXT Connector and to the Illuminator are supplied as Optional




①	Power SW	Tilt to "I" side for turning on power.
②	Power indicator	LED illuminates when power supply is ON.
③	MANU/REMO SW	Switch for selecting manual or remote control.
④	Output control SW	Manual adjustment switch for output-control.
⑤	Connector for illuminator : OUT1 / OUT2	Terminal for connection to the Illuminator.
⑥	External signal connector : EXT1 / EXT2	Terminal for external control.
⑦	MAINS supply	Inlet for connecting power supply cable.
⑧	Rubber feet	Take them off, when using with the optional installation bracket.

### Installation

Install horizontally on the rubber feet at the bottom of the unit.

- ※ Install the unit in such a way, that adequate space is left free for ventilation. Keep space of at least 10mm around the main body.
- ※ Be sure to install the unit in such a way that the Power Switch can be operated easily and the Mains Plug can be pulled out without hindrance, in case of emergency.
- ※ Protection Class: Class I equipment.
- ※ Before using this product, please provide an appropriate power supply cord set conforming to the input power ratings and to the relevant standards of the area where you use this product.
- ※ The power supply cord set shall have following configurations:  
 Length: < 3 m; Conductors: L / N / PE; Class I type mains plug with reliable connection to the Protective Earthing Conductor of the Building Installation.  
 Optional Item MC-AC200A-2.0M does comply with these requirements.

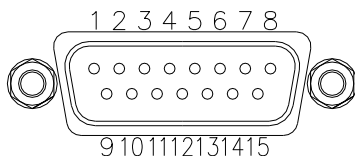
### 4. Connections

	<b>WARNING</b>	<ul style="list-style-type: none"> <li>• Only SELV circuits, which have reinforced insulation to their equipment primary circuit, may be connected to the unit.</li> <li>• For connection to the External Signal Connector, use a shielded cable with a recommended length of less than 2 m (Optional item: MC-EXC-02)</li> <li>• Please do not excessive input or overload.</li> </ul>
---	----------------	---

#### External signal connector (EXT)

Model

Terminal of the Unit	Connector of the cable
HDAB-15P(05) (male) (made by HRS) Screw: M2.6	HDAB-15S(05) : connector(female) (made by HRS) HAD-CTH : connector case (made by HRS) or its equivalent



#### Pin assignment

No	Identification	No	Identification
1	8bit digital input 2 <sup>0</sup> (LSB)	9	COMMON (+) ※1
2	8bi digital input 2 <sup>1</sup>	10	Input ON/OFF signal ※2
3	8bi digital input 2 <sup>2</sup>	11	NC
4	8bit digital input 2 <sup>3</sup>	12	NC
5	8bit digital input 2 <sup>4</sup>	13	NC
6	8bit digital input 2 <sup>5</sup>	14	NC
7	8bit digital input 2 <sup>6</sup>	15	NC
8	8bit digital input 2 <sup>7</sup> (MSB)		

※1 It is possible to input a voltage between 5V and 24V.

Since the Photo-coupler is AC input type, it can be used with + or – polarity.

• Please do not change the input voltage during operation.

※2 Operation possible regardless from MANU/REMO selection.

• Current: 1mA (Common: 5V), 5mA (Common: 24V)

※3 Only for REMO Control (Refer to Truth Table, Shown below)

• Current per circuit: 1mA (Common: 5V), 5mA (Common: 24V)

## When using COMMON as negative polarity


Definition of "H" and "L"

Signal	Photo-coupler in the Power Supply	Connection condition
L	ON	Connected to the GND
H	OFF	Open or Connected to the Vcc

ON/OFF signal

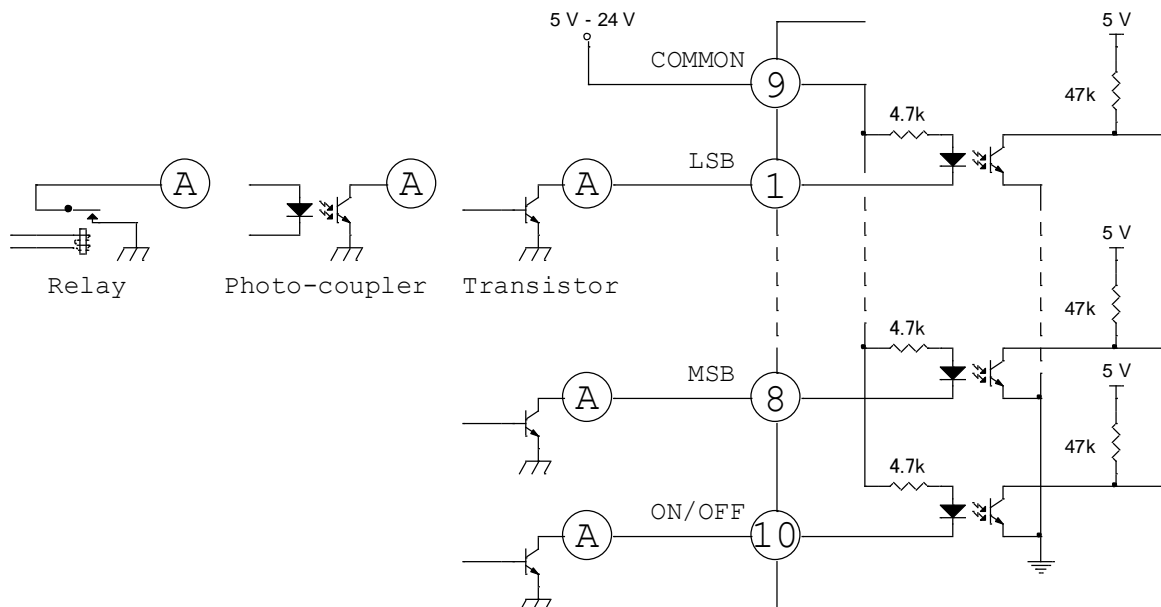
10pin Input signal	State of the Illuminator
L	OFF
H	ON

Truth table of External Control

External signal COMMON (9pin) +								State of the Illuminator
1pin	2pin	3pin	4pin	5pin	6pin	7pin	8pin	
Bit2 <sup>0</sup>	Bit2 <sup>1</sup>	Bit2 <sup>2</sup>	Bit2 <sup>3</sup>	Bit2 <sup>4</sup>	Bit2 <sup>5</sup>	Bit2 <sup>6</sup>	Bit2 <sup>7</sup>	
L	L	L	L	L	L	L	L	 dark light
H	L	L	L	L	L	L	L	
:	:	:	:	:	:	:	:	
:	:	:	:	:	:	:	:	
L	H	H	H	H	H	H	H	
H	H	H	H	H	H	H	H	

※ (COARSE,FINE) : Range between (0,0) and about (0,5) does not turn on the illuminator

Example of input circuit



## When using COMMON as positive polarity


Definition of "H" and "L"

Signal	Photo-coupler in the Power Supply	Connection condition
L	OFF	Open or Connected to the GND
H	ON	Connected to the Vcc

ON/OFF signal

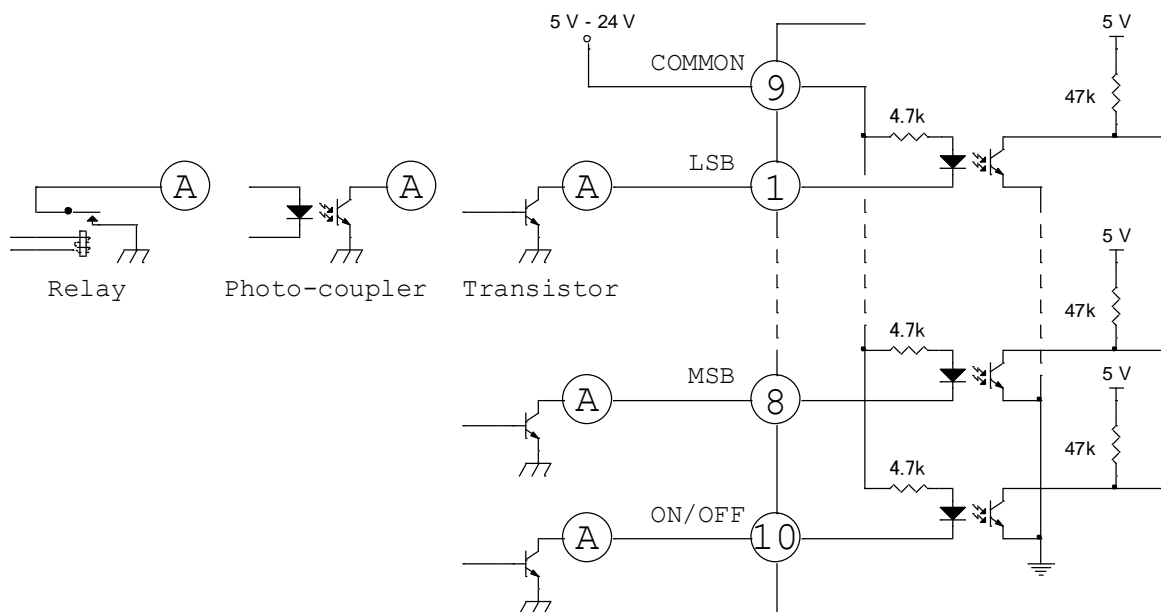
10pin Input signal	State of the Illuminator
L	ON
H	OFF

Truth table of External Control

External signal COMMON (9pin) +								State of the Illuminator
1pin	2pin	3pin	4pin	5pin	6pin	7pin	8pin	
Bit2 <sup>0</sup>	Bit2 <sup>1</sup>	Bit2 <sup>2</sup>	Bit2 <sup>3</sup>	Bit2 <sup>4</sup>	Bit2 <sup>5</sup>	Bit2 <sup>6</sup>	Bit2 <sup>7</sup>	
H	H	H	H	H	H	H	H	
L	H	H	H	H	H	H	H	
:	:	:	:	:	:	:	:	
:	:	:	:	:	:	:	:	
H	L	L	L	L	L	L	L	
L	L	L	L	L	L	L	L	

※ (COARSE,FINE) : Range between (0,0) and about (0,5) does not turn on the illuminator

Example of input circuit



## Connector for Illuminator (for MCEP/MSPP Illuminator: OUT1, OUT2)

Model

Output Connector of the Unit	Connector of the Illuminator
SMP-03V-BC (made by JST)	SMR-03V-B (made by JST) or equivalent


Pin assignment: Connector for Illuminator

No	Function/Identification
1	0.70A Output Current (+) ※1
2	0.35A Output Current (+) ※1
3	Output Current (-)

※1 Maximum Output voltage is 6.0V.

Optical item: M-RCB3\*\*L

## 5. Maintenance

	<b>WARNING</b>	<ul style="list-style-type: none"> <li>• Please turn off the power switch and detach all connections before doing maintenance.</li> <li>• Please never take the product apart.</li> </ul>
---	----------------	---

- Please periodically wipe off any dirt by a dry cloth.
- If the contamination is worse, wipe it off with a cloth that has been lightly immersed in a weak solution of neutral detergent.

**Troubleshooting:** Before requesting repair, check the following items.

Symptom	Cause	Remedy
Illuminator does not turn on.	- Are all connectors correctly attached?	- Please attach connectors correctly.
Illuminator remains dark.	- Is the MANU/REMO correctly set? - Is the output control correctly adjusted? - Are the external signals correctly set?	- Please reset. - Please set MANU/REMO correctly. - Please adjust output control. - Please connect signals correctly.
Unit does not turn ON/OFF.	- Are the external signals correctly set?	- Please connect signals correctly.



## 6. Specifications

Model	MLEP-B070W2LRD	
Input Voltage	AC 100 – 240 [V] (TN-S power distribution system)	※1
Input Current	0.20/0.11 [A] typ. at AC 100 / 240 [V]	
Input Frequency	50/60 [Hz]	
Rushing Current	16 [A] max. at AC 100 [V] 40 [A] max. at AC 240 [V]	※2
Number of Outputs	2 channel	
Output Voltage	Max 6.0 [V]	
Output Current	0.20 / 0.11 [A]	※3
Output Control	Constant current control	
Output Characteristics	Continuous DC output	
Output Adjustment Function	Yes Manual / Remote	
Output Range	0 – 100 [%]	
Remote Control	Yes 8 bit digital output control / Output ON/OFF control	
Environmental Condition	Indoor Altitude up to 2000m Temperature 0°C to 45°C Maximum 80% RH for temperatures up to 31°C decreasing linearly to 50% RH at 40 MAINS supply voltage fluctuations up to ±10% of the nominal voltage Installation category II For use up to Pollution degree 2	
Storage Temperature/Humidity	-20 ~ 75 [°C] / 20 ~ 85 [%RH] (non-condensing)	
Installation Method	Horizontal installation on rubber feet.	
Protection Class	Class I equipment	
Cooling Method	Air-cooling	
International Protection Degree	IP40 (EN60529)	※4
Dimensions	W110xH75xD150 (Protuberances excluded)	
Mass	Approximately 0.9 [kg]	
CE Marking	LVD : 2014/35/EU EMC : 2014/30/EU RoHS : 2011/65/EU, 2015/863	※5

※1 Please use power supply cord set satisfying the input AC voltage / current ratings of the unit and complying to the relevant standards / laws of the area where you use this product. (Please confirm a model of an attached power supply cord set to the product with the table of optional items.)

※2 Specification for cold-start

※3 Please do not connect anything to output of the unit except illuminator of designation current.

※4 An object equal to or more than a diameter of 2.5mm does not reach hazardous parts inside the unit. The unit is not protected against invasion of water.

※5 MLEP-B070W1LRD and all Optional Items, except stated explicitly do comply to these European Standards upon which CE marking is declared. Additionally, please use a Class I power supply cord set which confirms to CE marking in order to conform the unit to CE marking.

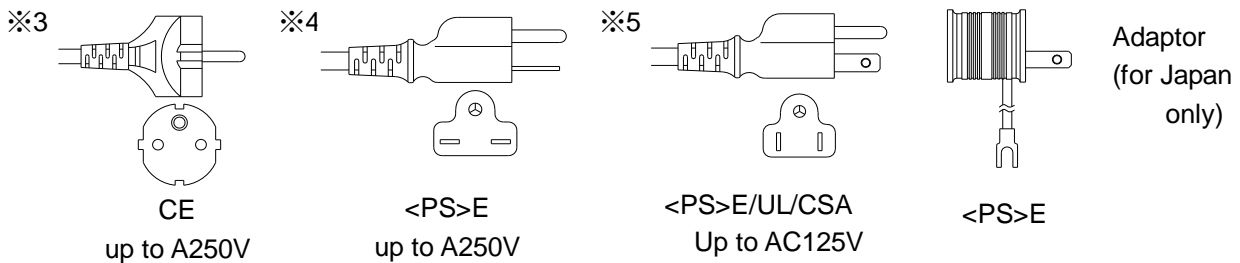
(Optional Item MC-AC200A-2.0M does comply with CE marking.)

### Optional items

Name	Model	CE	○:Yes ×:No
Relay cable for Illuminator (optional sales)	M-RCB3 * * L (Relay cable for 4pin connector) * *:length (01=1m、02=2m、03=3m) ※1,2		○
AC200V Power Supply Cord (optional sales)	MC-AC200A-2.0M (Only 2m length available) ※3		○
AC200V Power Supply Cord (optional sales)	MC-AC200B-2.0M (Only 2m length available) ※4		×
AC100V Power Supply Cord (optional sales)	MC-AC100A-2.0M (Only 2m length available) ※5		×
External Connector & Cable (optional sales)	MC-EXC-02 (length:2m, output side unattached) ※1		○
Installation bracket (optional sales)	LBK-001 (Bottom type)		—
KE type (custom-made) 『-KE』	8bit digital signal Inverse logic ※6		○

※1 Please inquire to MORITEX about cable different in length.

※2 Please inquire to MORITEX about 10m or more.



(Please check conforming to the relevant standards of country or area where you use cord.)

(Please inquire to MORITEX about specifications of Power Supply Cord.)

※6 Refer to Chart1 (with suffix of model name: -KE)

Chart1

Type	COMMON	State of output (Illuminator)			
		8bit Logic	8bit open	ON/OFF Logic	ON/OFF open
Standard(KC)	+	L=OFF	Max ON	L=OFF	ON
	—	H=OFF	Max ON	H=OFF	ON
KE	+	L=ON	OFF	L=OFF	ON
	—	H=ON	OFF	H=OFF	ON

※ COMMON + : External power supply +, COMMON — : External power supply —

※ Logic H : External power supply +, Logic L : External power supply —

### KE option Pin assignment

•Refer to Page 19: Pin assignment


## When using COMMON as negative polarity

Definition of "H" and "L" : Refer to Page20

ON/OFF signal

10pin Input signal	State of the Illuminator
L	OFF
H	ON

Truth table of External Control

External signal COMMON (9pin) +								State of the Illuminator
1pin	2pin	3pin	4pin	5pin	6pin	7pin	8pin	
Bit2 <sup>0</sup>	Bit2 <sup>1</sup>	Bit2 <sup>2</sup>	Bit2 <sup>3</sup>	Bit2 <sup>4</sup>	Bit2 <sup>5</sup>	Bit2 <sup>6</sup>	Bit2 <sup>7</sup>	
H	H	H	H	H	H	H	H	
L	H	H	H	H	H	H	H	
:	:	:	:	:	:	:	:	
:	:	:	:	:	:	:	:	
H	L	L	L	L	L	L	L	
L	L	L	L	L	L	L	L	

※ (COARSE,FINE) : Range between (0,0) and about (0,5) does not turn on the illuminator

Example of input circuit : Refer to Page20


## When using COMMON as positive polarity

Definition of "H" and "L" : Refer to Page21

ON/OFF signal

10pin Input signal	State of the Illuminator
L	ON
H	OFF

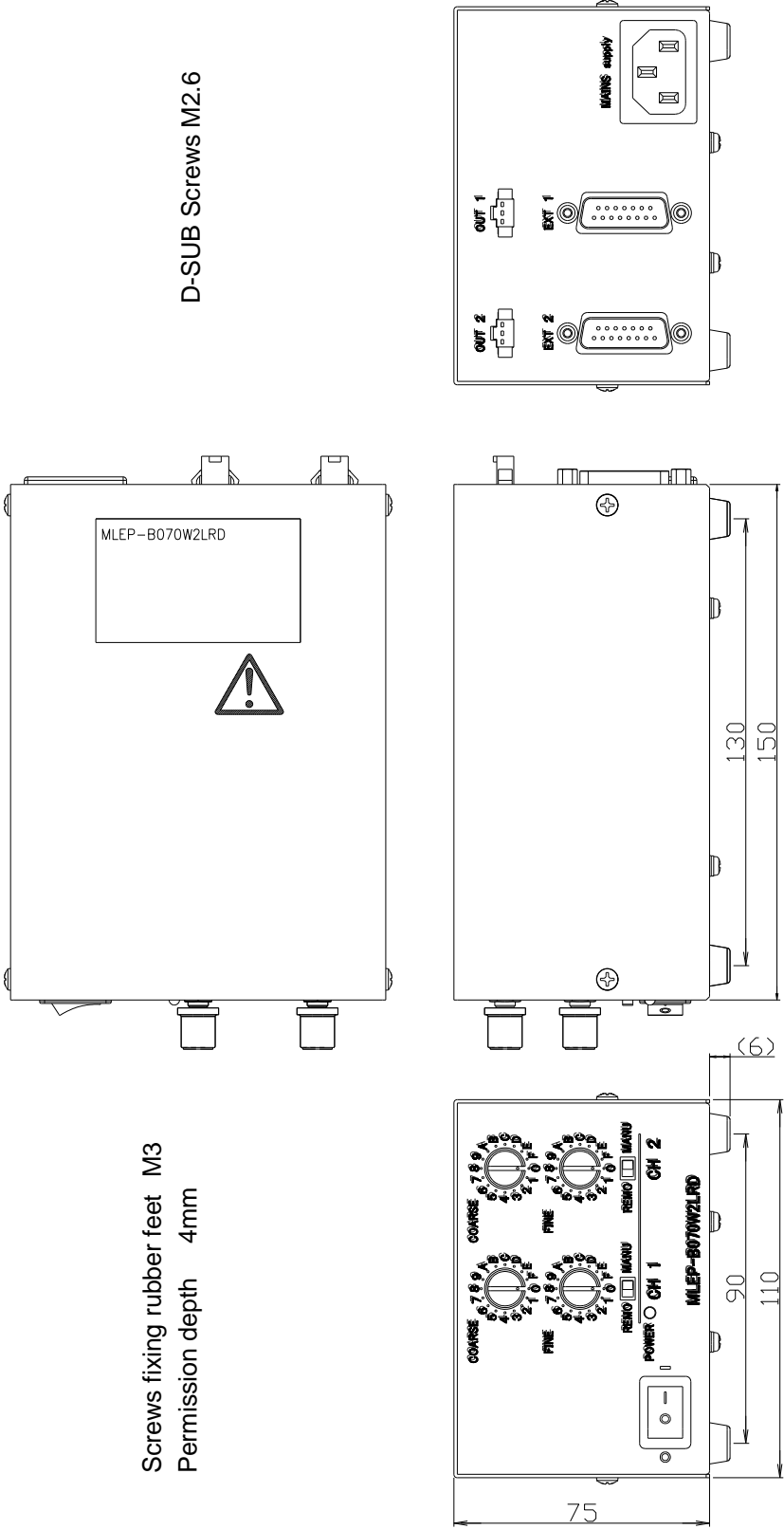
Truth table of External Control

External signal COMMON (9pin) +								State of the Illuminator
1pin	2pin	3pin	4pin	5pin	6pin	7pin	8pin	
Bit2 <sup>0</sup>	Bit2 <sup>1</sup>	Bit2 <sup>2</sup>	Bit2 <sup>3</sup>	Bit2 <sup>4</sup>	Bit2 <sup>5</sup>	Bit2 <sup>6</sup>	Bit2 <sup>7</sup>	
L	L	L	L	L	L	L	L	
H	L	L	L	L	L	L	L	
:	:	:	:	:	:	:	:	
:	:	:	:	:	:	:	:	
L	H	H	H	H	H	H	H	
H	H	H	H	H	H	H	H	

※ (COARSE,FINE) : Range between (0,0) and about (0,5) does not turn on the illuminator

Example of input circuit : Refer to Page21

Dimensions



Screws fixing rubber feet M3  
 Permission depth 4mm

D-SUB Screws M2.6

《 MEMO 》

《Appendix》

- If there are any unclear points or if you have any questions, please feel free to inquire MORITEX.  
For repair or after sales service, please contact any MORITEX office or the sales office where you have purchased the unit.
- Please provide following information when requesting service.

Model	:	MLEP-B070W2LRD
Ser. No.	:	Indicated on the product
Date of purchase	:	. . . . .
State of trouble	:	Please provide detailed information
Your name (company name and/or individual name), address, telephone/FAX number, email-address	:	

---

お問い合わせは.....

**株式会社 モリテックス**

国内営業部 マシンビジョン営業

代理店営業

〒351-0024 埼玉県朝霞市泉水 3-13-45

URL : [www.moritex.co.jp](http://www.moritex.co.jp)

TEL 048-218-2534 / FAX 048-462-6714

TEL 048-218-2535 / FAX 048-462-6714

---

For inquiry, please contact to:

**MORITEX Corporation**

3-13-45, Sensui, Asaka-shi,

Saitama 351-0024

Japan

Phone : +81-(0)48-218-2546

Fax : +81-(0)48-462-6713

E-mail : [moritex.sales@moritex.com](mailto:moritex.sales@moritex.com)

URL : [www.moritex.co.jp](http://www.moritex.co.jp)

: [www.moritex.com](http://www.moritex.com)

**MORITEX Technologies**

20# Guiyue Road Daping Village,

Guanlan Baoan District

Shenzhen, 518110

China,P.R.

Phone : +86 (0)755-2798-8282

Fax : +86 (0)755-2798-8575

E-mail : [sales.china@moritex.com](mailto:sales.china@moritex.com)

URL : [www.moritex.com](http://www.moritex.com)

**MORITEX North America, Inc.**

6862 Santa Teresa Blvd.

San Jose, CA 95119 USA

Phone : +1-(0)408-363-2100

Fax : +1-(0)408-363-9980

E-mail : [machine.vision@moritex.com](mailto:machine.vision@moritex.com)

URL : [www.moritex.com](http://www.moritex.com)

**Moritex Asia Pacific Pte. Ltd.**

60, Benoi Road

#03-02 EMS Building

Singapore 629906

Phone : +65-(0)6264-0028

Fax : +65-(0)6264-8122

E-mail : [sales.AP@moritex.com](mailto:sales.AP@moritex.com)

URL : [www.moritex.com](http://www.moritex.com)